

### XOF Series Air Filter



XOF-MINI

The OF with water separator cleans the compressed air of fluid oil, condensation and dirt particles, for special application, the standard 40µm filter element may easily be replaced by a 5µm filter element.

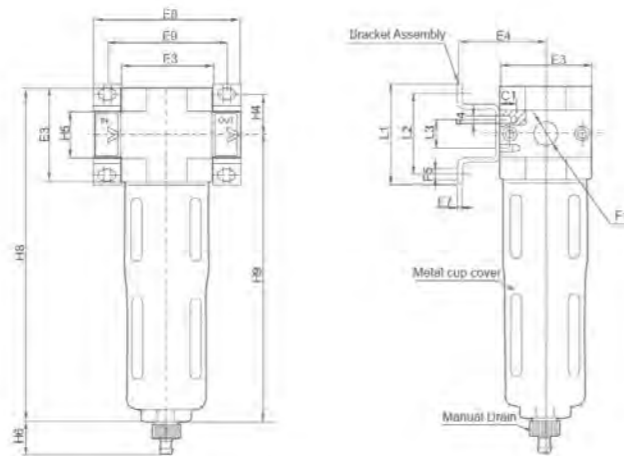
Ordering Code

<b>XO</b>	<b>F</b>	<b>MINI</b>	<b>1/4</b>	<b>□</b>	<b>□</b>
<b>Series</b>	<b>Function code</b>	<b>Body</b>	<b>Port Size</b>	<b>Grade of Filtration</b>	<b>Drain Type</b>
XO Series	Filter	MINI MIDI MAXI	G1/8" G1/4" G3/8" G1/2" G3/4" G1"	Blank: 40µm 5M: 5µm	Blank: Turned Manually S: Half-Auto Drain Type A: Auto Drain Type

#### Specification

Model	MINI			MIDI			MAXI		
40µm	Manual	XOF-1/8-MINI	XOF-1/4-MINI	XOF-3/8-MINI	XOF-3/8-MIDI	XOF-1/2-MIDI	XOF-3/4-MIDI	XOF-3/4-MAXI	XOF-1-MAXI
5µm	Drain	XOF-1/8-5M-MINI	XOF-1/4-5M-MINI	XOF-3/8-5M-MINI	XOF-3/8-5M-MIDI	XOF-1/2-5M-MIDI	XOF-3/4-5M-MIDI	XOF-3/4-5M-MAXI	XOF-1-5M-MAXI
Medium	Compressed air								
Features of structure	Sintered filter with water sparter								
Mounting type	Pipe mounting or foot mounting								
Assembly position	Vertical ±5°								
Connection	G1/8"	G1/4"	G3/8"	G3/8"	G1/2"	G3/4"	G3/4"	G1"	
Standard nominal flow rate	XOF-...	1000	1200	1400	2700	3000	3000	5000	5300
	XOF-...-5M	600	950	1100	1800	1900	1900	3200	3300
Primary pressure	Manual drain: 1~16bar								
Grade of filtration	40µm/5µm								
Max. condensate capacity	22ml			43ml			80ml		
Max. condensate capacity	0~60°C								
Materials information	Housing: Zinc die-casting; Filter bowl: PC; Metal bowl guard: Aluminum alloy; Sealing: NBR								

#### Overall Dimensions



Graphic Symbol

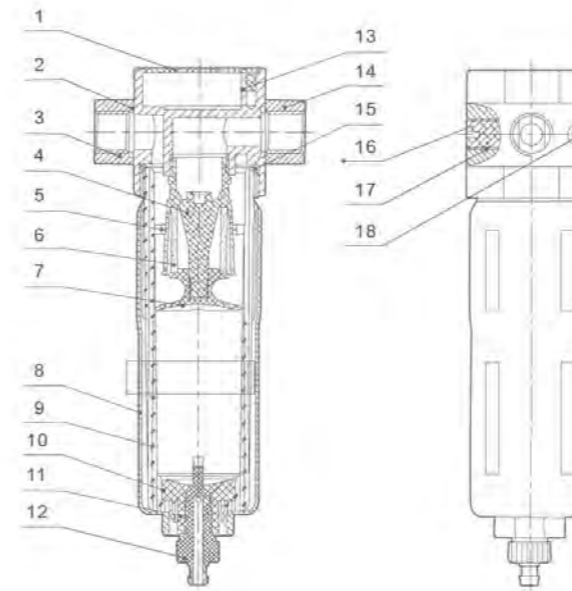


#### Dimension Sheet

Model	E3	E4	E7	E8	E9	F1	F4	F5Φ	L1	L2	L3	H4	H5	H6	H8	H9
XOF-...-MINI	40	39	2	64	52	G1/8", G1/4", G3/8"	M4	4.5	44	35	11	17.5	20	15	144	124
XOF-...-MIDI	55	47	3	85	70	G3/8", G1/2", G3/4"	M5	5.5	71	60	22	30	32	15	180	153
XOF-...-MAXI	66	53	3	96,116	80,91	G3/4", G1"	M5	5.5	71	60	22	30	32,40	15	203	170

### XOF Series Air Filter

#### Internal structure



No	Name	Material
1	Ornament cover(round)	POM
2	O-ring	NBR
3	Flange-IN	Zinc alloy
4	Filter element base	POM
5	Whirl wind impeller	POM
6	Filter element	PE
7	Manger	POM
8	Metal bowl guard	Aluminum alloy
9	Filter bowl	PC
10	O-ring	NBR
11	Inner joint	POM
12	Condensate drain	POM
13	OF Body	Zinc alloy
14	Flange-OUT	Zinc alloy
15	O-ring	NBR
16	Plug	POM
17	O-ring	NBR
18	Allen screw	S35C

#### Flow diagram

Standard flow rate qn as a function of the output pressure p2

