







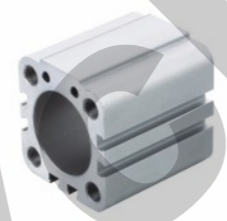

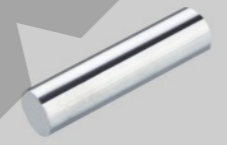


Assembly kits for pneumatic cylinder

Product	Model/Specification	Product
	MB Kits (Japan Standard) Bore size: φ 32,40, 50,63,80,100	DNG Kits(ISO15552)  Bore size: φ 160,200,250,320
	ADVU Kits (ISO6431) Bore size: φ 16,20, 25,32,40,50, 63,80	

Tube and piston rod for pneumatic cylinder

Product	Model/Specification	Product	Model/Specification
	SC, MAL Round Aluminum Tube Bore size: φ 16,20, 25,32,40,50,63, 80,100,125,160, 200,250,320		DNC Square Aluminum Tube Bore size: φ 32,40,50, 63,80,100,125
	SI Mickey Mouse Aluminum Tube Bore size: φ 32,40,50, 63,80,100, 125,160,200		SI, DNC Mickey Mouse Aluminum Tube With Groove Bore size: φ 32,40,50, 63,80,100
	SDA Aluminum Tube Bore size: φ 12,16,20,25, 32,40,50,63,80,100 Note: Normally we provide SDA un-oxidized aluminum tube, if you need that with oxide, pls be specified, because price is different.		ADVU Aluminum Tube Bore size: φ .20, 25,32,40,50,63,80
	MA, MA6432 Stainless Steel Tube (High precision) Bore size: φ 8,10,12, 16,20,25,32,40		Piston rod (45# Steel Chrome-plated) Bore size: φ 6,8,10,12,16,20, 25,32,40,45,50,60,70, etc. Note: XCPC can provide different material and diameters piston rods including stainless steel.


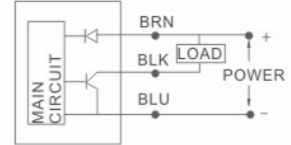
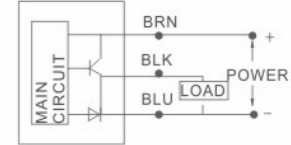
XC-03 Series Magnetism Switch



Features and Applications

1. Compact design
2. LSU type LED light
3. Anti-vibration application
4. Simple installation
5. BK series metal band together
6. Suitable for many kinds of air cylinder.

Specification

Type	XC-03R	XC-03N	XC-03P
Connect Diagram			
Parameter	2-Wire Type		3-Wire Type
Wiring method	SPST Normally Open		Solid State Output, Normally Open
Switching logic	Reed switch		NPN Input PNP Output
Sensor type	5-240V DC/AC		5-30V DC
Operating voltage	100mA max.		200mA max.
Max. switching current	10W max.		6W max.
Contact rating	None		20mA max @ 24V(Switch Active)
Current consumption	3.0V max.		0.5V max @ 200mA
Voltage drop	None		0.01mA max.
Leakage current	Red LED		Red LED Green LED
Indicator	200Hz		1000Hz
Max. exchange frequency	-10~70°C		
Temperature range	30G		50G
Shock	9G		
Vibration	IEC 529 IP67(NEMA 6)		
Enclosure classification	None		With protection
Protection circuit	φ 2.8,2C PVC Gray color, oil resistance PVC		φ 2.8,2C PVC Black color, oil resistance PVC
Cable			

Overall Dimensions



Joint Pipe Bore

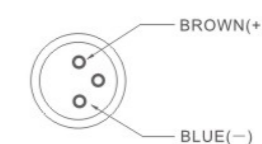
PBK metal band for XC-03 series

For round cylinder φ6-φ63



QD Pinout

2 wire QD wiring



3 wire QD wiring

