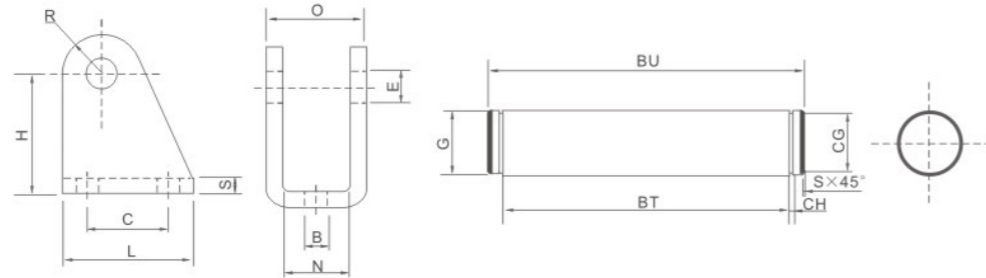


Mini Cylinder Accessories

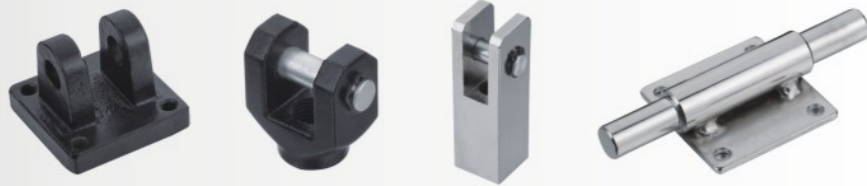


M-U+Pin



Symbol/Bore	B	E	C	H	L	N	O	R	S	G	BT	CG	CH	BU	S
8/10	4.5	4	12.5	24	20	8.1	13	5	2.5	4	14	2.5	0.5	17	0.2
12/16	5.5	6	15	27	25	13	18	7	2.5	6	19	4	0.8	24	0.4
20/25	6.6	8	20	29.5	32	16.1	24	10	4	8	25.2	5	0.9	29.5	0.5

Special cylinder accessories



Our company can customize all kinds of non-standard cylinder accessories according to your drawing or sample.

Seal Kits for Pneumatic Cylinder

Product	Model	Cylinder bore size	Temperature
<p>Seal kits-DNC</p>	Seal kits-DNC	Φ32~125	-5~75℃
	Seal kits-DNG	Φ160~320	
	Seal kits-SI	Φ32~200	
	Seal kits-SC	Φ32~200	
	Seal kits-MA	Φ10~40	
	Seal kits-MAL	Φ16~40	
	Seal kits-SDA	Φ12~100	
	Seal kits-ADVU	Φ16~80	

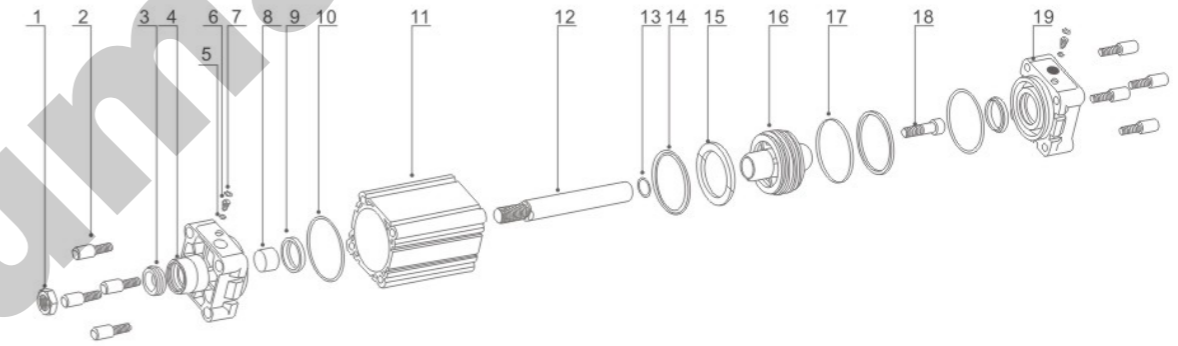


Product	Model	Cylinder bore size	High temperature
<p>Seal kits-DNC-Viton</p>	Seal kits-DNC-Viton	Φ32~125	-10~150℃
	Seal kits-DNG-Viton	Φ160~320	
	Seal kits-SI-Viton	Φ32~200	
	Seal kits-SC-Viton	Φ32~200	
	Seal kits-MA-Viton	Φ10~40	
	Seal kits-MAL-Viton	Φ16~40	
	Seal kits-SDA-Viton	Φ12~100	
	Seal kits-ADVU-Viton	Φ16~80	

Assembly kits for pneumatic cylinder

DNC Series Cylinder Kits

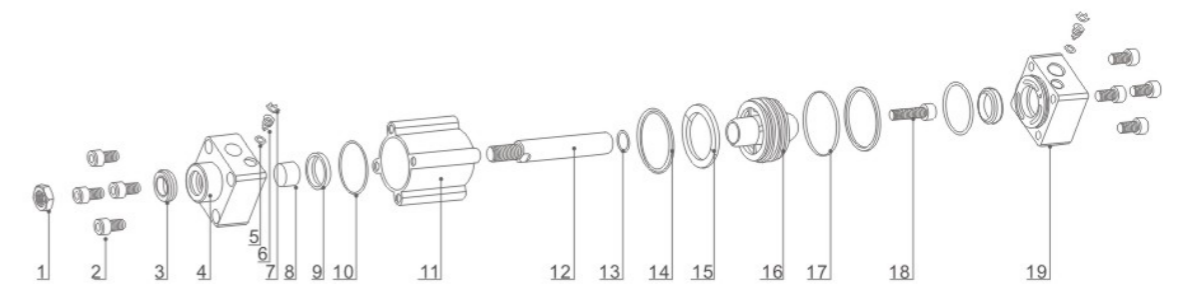
Product	Model/Specification	Part name	Material	Part name	Material
	DNC Kits (ISO6431&V DMA24562) Bore size: φ 32,40, 50,63,80, 100,125	Front cover	Aluminum alloy	Piston seal	NBR
		Back cover	Aluminum alloy	Wear ring	PA66
		Piston	Aluminum alloy	Self lubricating bearing	PTFE+Brass
		Piston rod(Without)	S45C hard chrome carbon steel	Magnet(optional)	RbFeb
		Barrel(Without)	Hard anodized aluminum	Cushion needle	Brass
		Front Cover seal	PU	Hexagon screw	Carbon steel
		Cushion seal	NBR	Nut	Carbon steel
		Piston rod O-ring	NBR	Profile bolt	Carbon steel
		Cover O-ring	NBR		



NO	Designation	NO	Designation	NO	Designation	NO	Designation	NO	Designation
1	Nut	5	O-ring	9	Cushion seal	13	Rod O-ring	17	Wear ring
2	Profile bolt	6	Adjustable screw	10	Cover O-ring	14	Piston seal	18	Hex Socket Screw
3	Front Cover seal	7	Block slip	11	Barrel(Without)	15	Magnet(optional)	19	Back cover
4	Front cover	8	Self Lubricating bearing	12	Piston rod(Without)	16	Piston		

SI Series Cylinder Kits

Product	Model/Specification	Part name	Material	Part name	Material
	SI Kits (ISO6431) Bore size: φ 32,40,50, 63,80,100,125, 160,200	Front cover	Aluminum alloy	Piston seal	NBR
		Back cover	Aluminum alloy	Wear ring	PA66
		Piston	Aluminum alloy	Self lubricating bearing	PTFE+Brass
		Piston rod(Without)	S45C hard chrome carbon steel	Magnet(optional)	RbFeb
		Barrel(Without)	Hard anodized aluminum	Cushion needle	Brass
		Front Cover seal	NBR	Hexagon screw	Carbon steel
		Cushion seal	NBR	Nut	Carbon steel
		Piston rod O-ring	NBR	Profile bolt	Carbon steel
		Cover O-ring	NBR		



NO	Designation	NO	Designation	NO	Designation	NO	Designation	NO	Designation
1	Nut	5	O-ring	9	Cushion Seal	13	Rod O-ring	17	Wear ring
2	Profile bolt	6	Adjustable screw	10	Cover O-ring	14	Piston seal	18	Hex Socket screw
3	Front Cover seal	7	Block slip	11	Barrel(Without)	15	Magnet(optional)	19	Back cover
4	Front cover	8	Self Lubricating bearing	12	Piston rod(Without)	16	Piston		