

XHL Series Parallel Style Wide Opening Air Gripper



XHL 2-20D

Ordering Code

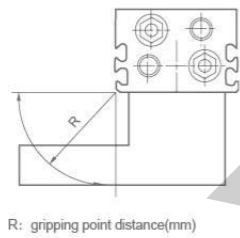
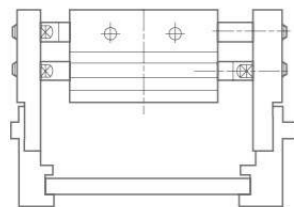
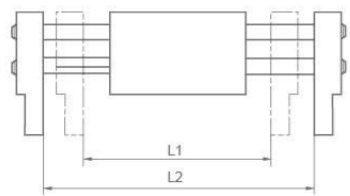
XHL	2	×	16	D	□																												
Series Code	Finger Quantity		Cylinder Bore	Action Type	Finger Open/Close Stroke																												
XHL: XHL Wide Opening Air Gripper	2PCS		10mm~40mm	D: Double Action																													
					<table border="1"> <tr> <th>Bore</th> <th>10</th> <th>16</th> <th>20</th> <th>25</th> <th>32</th> <th>40</th> </tr> <tr> <td>Blank</td> <td>20</td> <td>30</td> <td>40</td> <td>50</td> <td>70</td> <td>100</td> </tr> <tr> <td>1</td> <td>40</td> <td>60</td> <td>80</td> <td>100</td> <td>120</td> <td>160</td> </tr> <tr> <td>2</td> <td>60</td> <td>80</td> <td>100</td> <td>120</td> <td>160</td> <td>200</td> </tr> </table>	Bore	10	16	20	25	32	40	Blank	20	30	40	50	70	100	1	40	60	80	100	120	160	2	60	80	100	120	160	200
Bore	10	16	20	25	32	40																											
Blank	20	30	40	50	70	100																											
1	40	60	80	100	120	160																											
2	60	80	100	120	160	200																											

- Long finger stroke, suitable for large volume workpiece.
- Dual piston design can increase retention
- Fingers synchronized by rack and pinion mechanism.
- Dust-protection design adopt special sealing.

Specification

Bore(mm)	10	16	20	25	32	40
Fluid	Air					
Motion Pattern	Double Acting					
Max.pressure Mpa	0.6(6.1)					
Max.pressure Mpa	0.15	0.1				
Ambient and Fluid Temperature	-10~60℃					
Auto Switch(optional)	±0.1mm					
Effective Gripping Force (N) at 0.5 Mpa	14	45	74	131	228	396
Port Size	M5×0.8			G1/8"		

Stroke

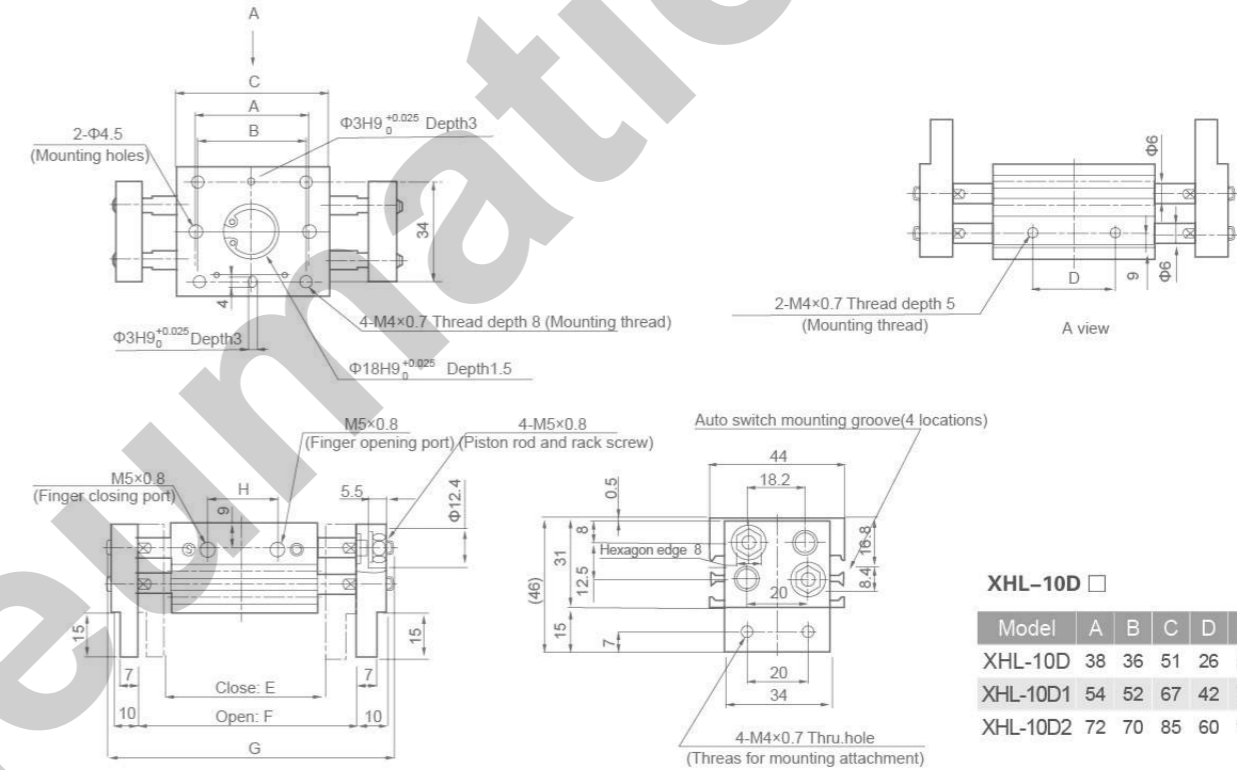


R: gripping point distance(mm)

Model	Bore size (mm)	Max. operating frequency c.p.m	Opening/ Closing stroke (L1-L2)mm	Width at closing(mm) L1	Width at the opening (mm) L2
XHL-10D	10	60	20	56	76
XHL-10D1		40	40	78	118
XHL-10D2		40	60	96	156
XHL-16D	16	60	30	68	98
XHL-16D1		40	60	110	170
XHL-16D2		40	80	130	210
XHL-20D	20	60	40	82	122
XHL-20D1		40	80	142	222
XHL-20D2		40	100	162	262
XHL-25D	25	60	50	100	150
XHL-25D1		40	100	182	282
XHL-25D2		40	120	200	320
XHL-32D	32	30	70	150	220
XHL-32D1		20	120	198	318
XHL-32D2		20	160	242	402
XHL-40D	40	30	100	188	288
XHL-40D1		20	160	246	406
XHL-40D2		20	200	286	486

XHL Series Parallel Style Wide Opening Air Gripper

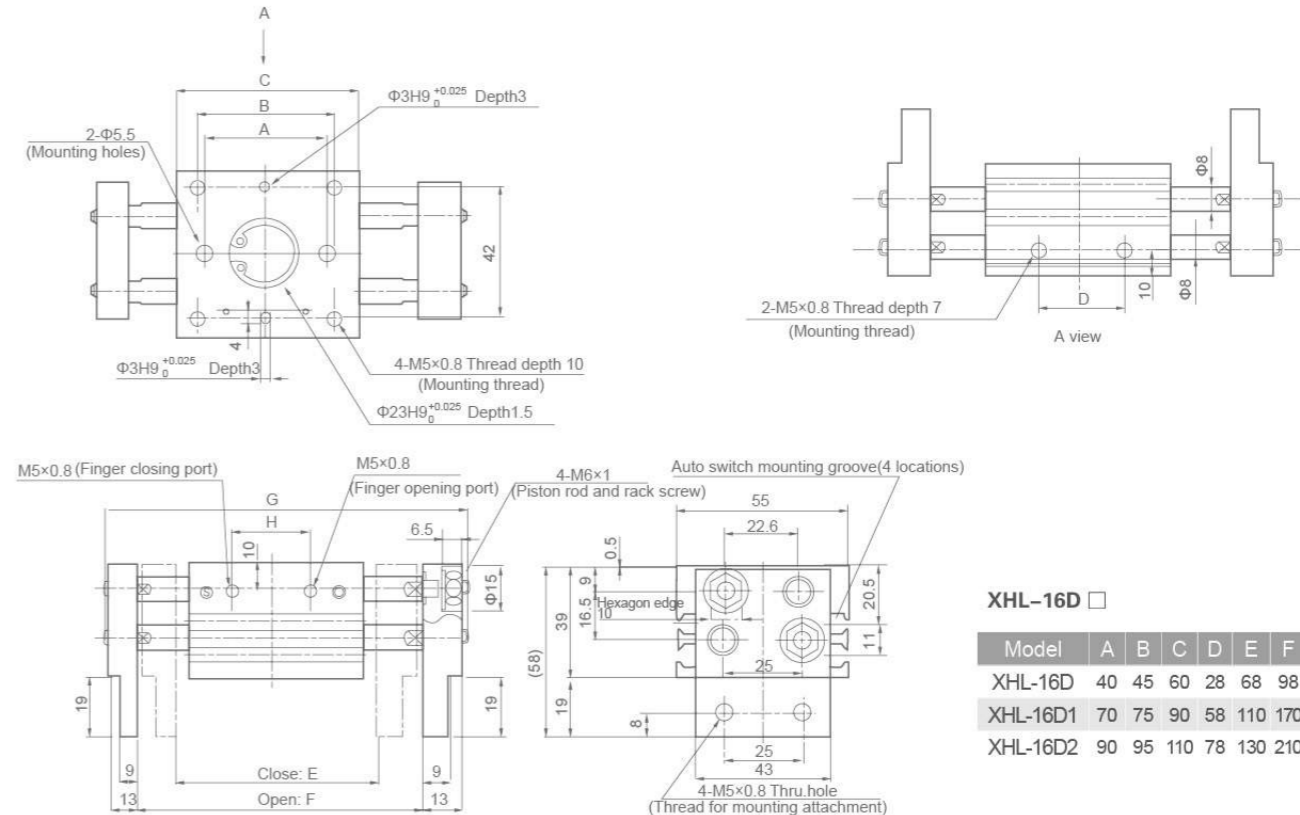
Overall Dimensions



XHL-10D □

Model	A	B	C	D	E	F	G	H
XHL-10D	38	36	51	26	56	76	100	24
XHL-10D1	54	52	67	42	78	118	142	39
XHL-10D2	72	70	85	60	96	156	180	57

Overall Dimensions

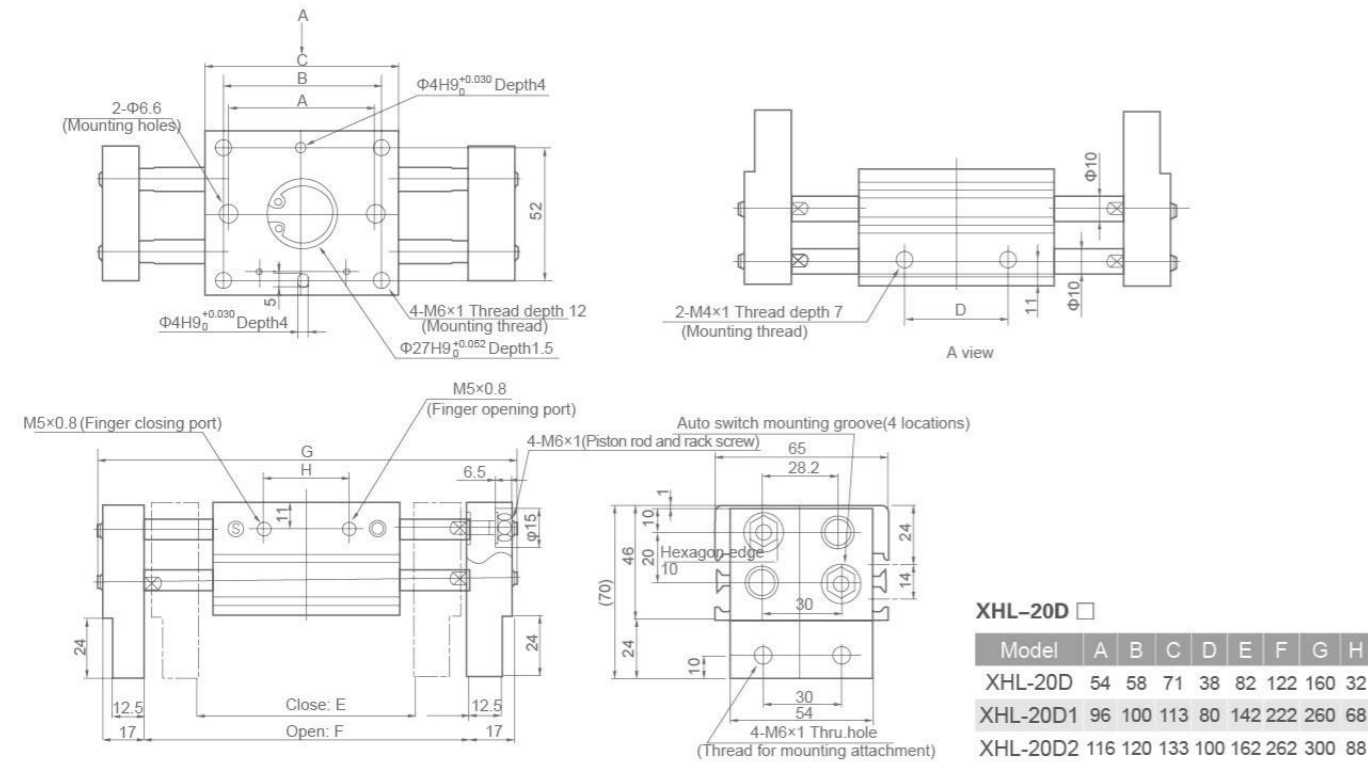


XHL-16D □

Model	A	B	C	D	E	F	G	H
XHL-16D	40	45	60	28	68	98	128	26
XHL-16D1	70	75	90	58	110	170	200	50
XHL-16D2	90	95	110	78	130	210	240	70

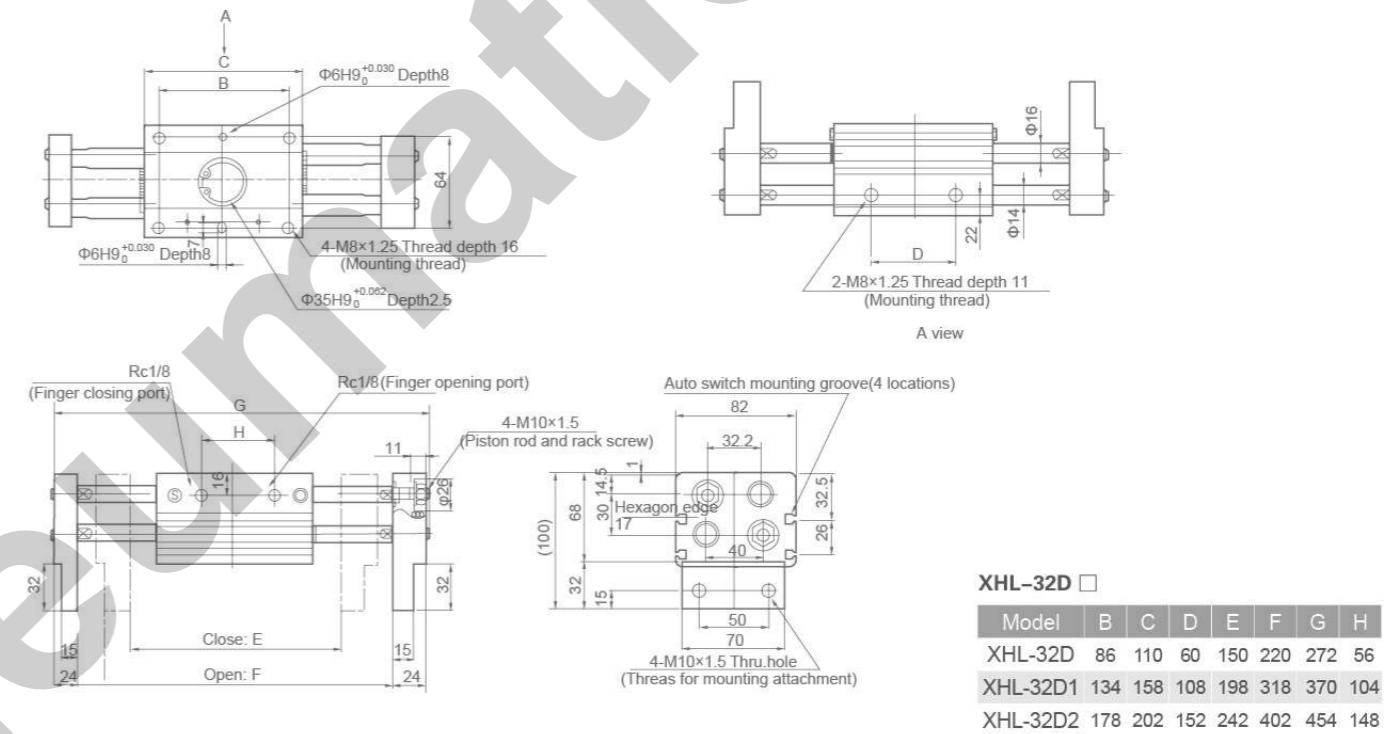
XHL Series Parallel Style Wide Opening Air Gripper

Overall Dimensions

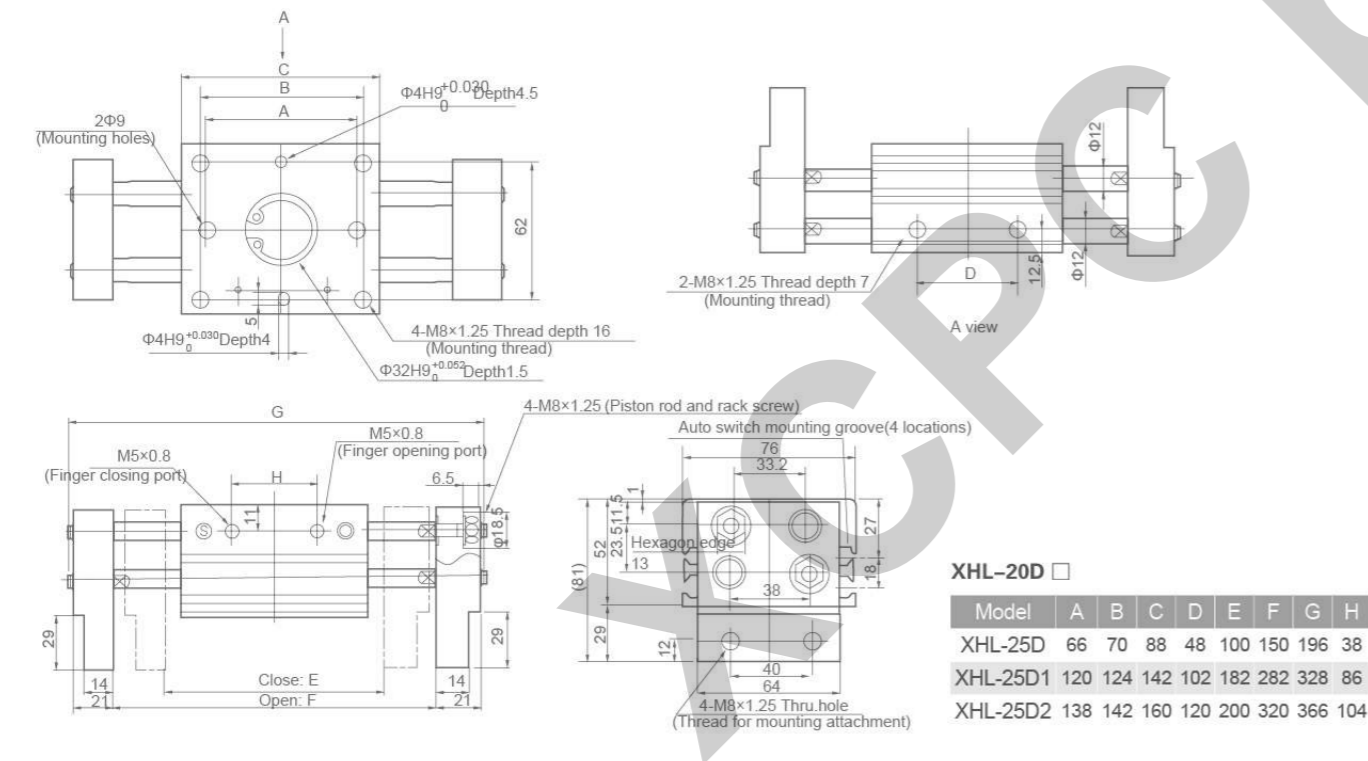


XHL Series Parallel Style Wide Opening Air Gripper

Overall Dimensions



Overall Dimensions



Overall Dimensions

