

XHT Series Angle Style Air Gripper (ToggleType)



XHT2-32D

Ordering Code

XHT **2** **32** **D**
 Series Code Finger Quantity Cylinder Bore Action Type
 XHT: XHT Toggle Type Air Gripper 2PCS 32mm~63mm D: Double Action

Specification

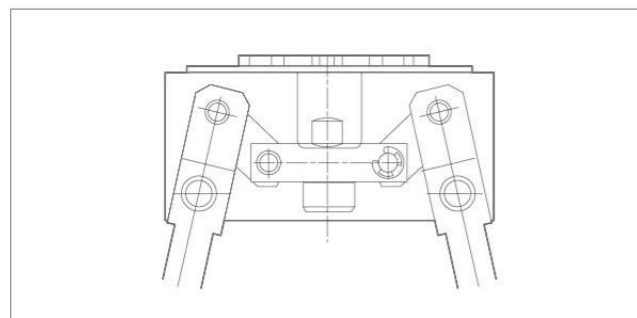
Bore(mm)	32	40	50	63
Motion Pattern	Double acting			
Fluid	Air			
Operating Voltage Range	0.1~0.6 MPa			
Ambient and fluid temperature	5~60℃			
Lubrication	Not required			
Finger opening angle (Total)	-3°~28°	-3°~27°	-2°~23°	-2°~23°
Effective gripping force (N-m) at 0.5 Mpa	12.4	36.0	63.0	106

Magnetism Switch Model

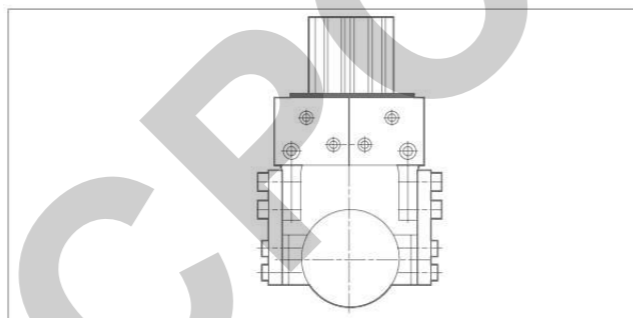
Bore Size	Track Mouth		
32			① Fit for grip heavy equipment
40	D-A72L D-A73L D-A76L	D-A80L D-F79L D-J79L	② Toggle structure unless lost the pressure suddenly the gripper still can work
50			③ Magnet inside, can install magnetism switch
63			

Note: Magnetism switch model can refer to magnetism switch series

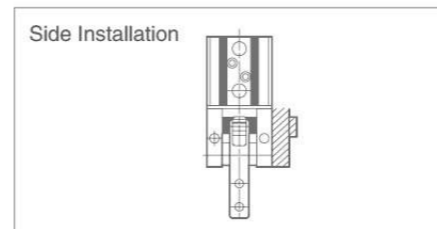
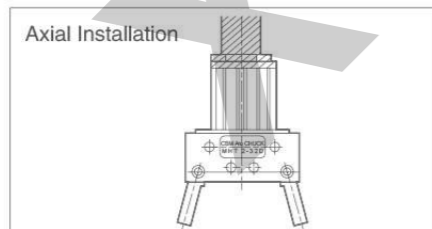
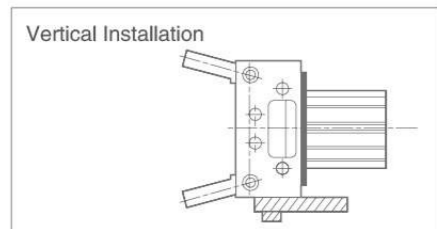
Lever Structure



Example

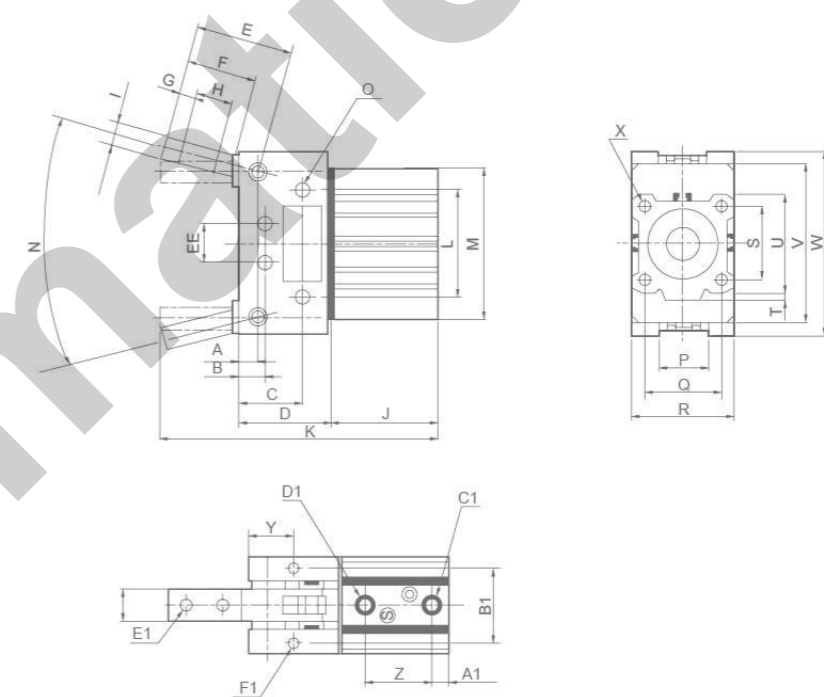


Installation pattern



XHT Series Angle Style Air Gripper (ToggleType)

Overall Dimensions



Dimension Sheet

Bore(mm)	A	B	C	D	E	F	G	H	I
32	8	12	28	41.6	42	32	8	16	5.5
40	8	12	28	42	48	37	10	18	7
50	10	16	35	52.5	54	40	10	22	8
63	10	17	35	53.2	60	45	11	24	10

Bore(mm)	J	K	L	M	N	O	EE	P
32	48	123.6	50	68	Open: 28°, Closed: -3°	Double Sides:4-M6/Thread:Dep 10	18	22
40	54.5	136.5	60	74	Open: 27°, Closed: -3°	Double Sides:4-M8/Thread:Dep 10	24	29
50	60.5	157	80	100	Open: 23°, Closed: -2°	Double Sides:4-M10/Thread:Dep 12	30	36
63	66	169.2	90	104	Open: 23°, Closed: -2°	Double Sides:4-M12/Thread:Dep 17	36	40

Bore(mm)	Q	R	S	T	U	V	W	X
32	34±0.2	46	34±0.2	4.5	45	72	86	4-M6/Thread:Dep 10
40	40±0.2	53	40±0.2	5	52	82	96	4-M8/Thread:Dep 10
50	50±0.2	66	50±0.2	7	64	110	124	4-M8/Thread:Dep 14
63	60±0.2	80	60±0.2	7	77	116	132	4-M10/Thread:Dep 18

Bore(mm)	Y	Z	A1	B1	C1	D1	E1	F1
32	20	30	7.5	34	Finger Open: Rc(PT)1/8	Finger Closed: Rc(PT)1/8	4-M6/Thread:Dep 5.1	4-M6/Thread:Dep 15
40	20	35.5	8	40	Finger Open: Rc(PT)1/8	Finger Closed: Rc(PT)1/8	4-M8/Thread:Dep 6.8	4-M8/Thread:Dep 12
50	25	39.5	10.5	52	Finger Open: Rc(PT)1/4	Finger Closed: Rc(PT)1/4	4-M10/Thread:Dep 8.6	4-M10/Thread:Dep 12
63	25	40.5	10.5	50	Finger Open: Rc(PT)1/4	Finger Closed: Rc(PT)1/4	4-M12/Thread:Dep 10.4	4-M12/Thread:Dep 10