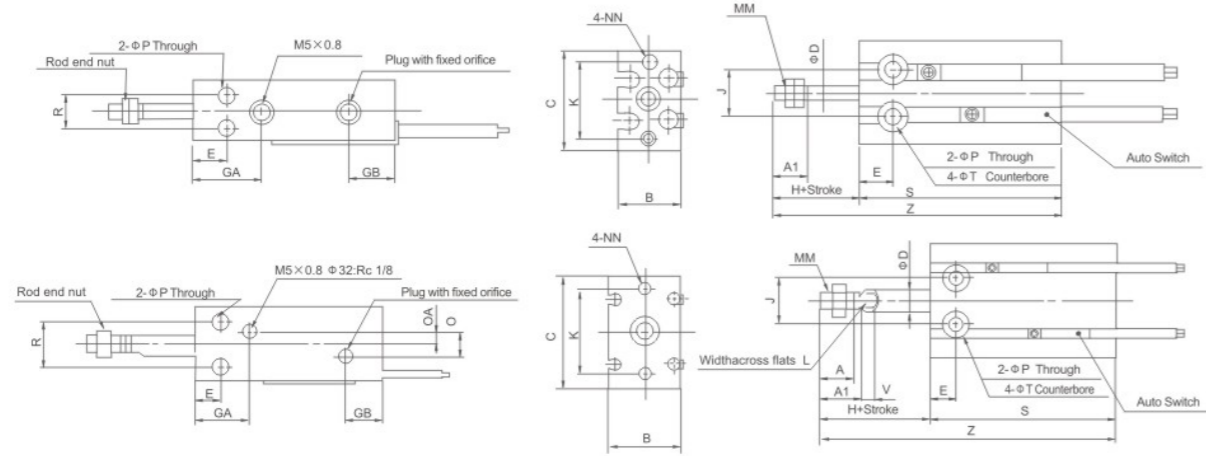


### CU Series Free Installation Cylinder

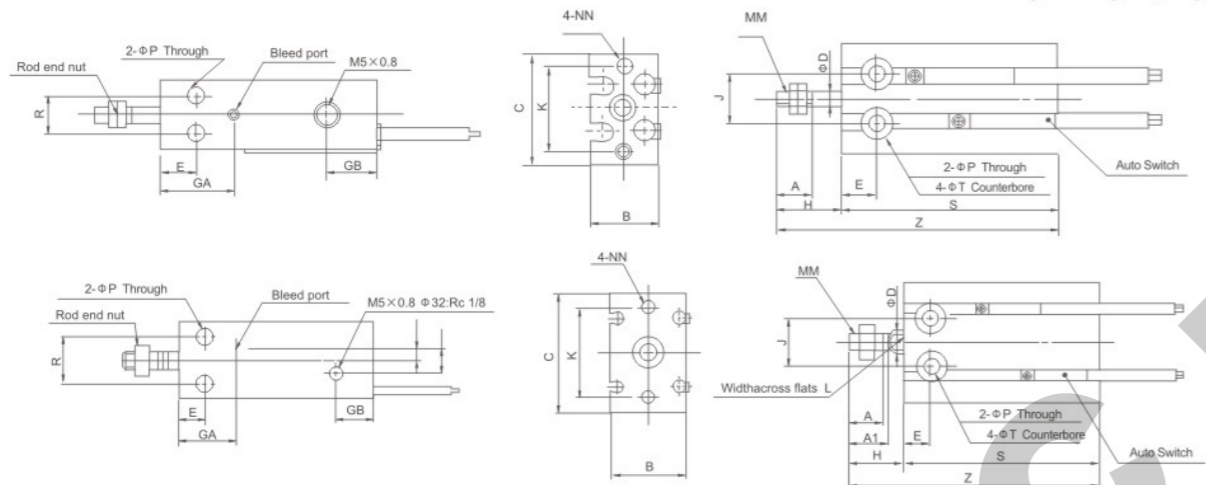
Overall Dimensions

Single Acting, Spring Extend



Overall Dimensions

Single Acting, Spring Return



Dimension Sheet

Bore size(mm)	A	A1	B	C	D	E	GA	GB	H	K	J	L	MM	NN	P
6	7	-	13	22	3	7	15	10	13	17	10	-	M3×0.5	M3×0.5 (depth) 5	3.2
10	10	-	15	24	4	7	16.5	10	16	18	11	-	M4×0.7	M3×0.5 (depth) 5	3.2
16	11	12.5	20	32	6	7	16.5	11.5	16	25	14	5	M5×0.8	M4×0.7 (depth) 6	4.5
20	12	14	26	40	8	9	19	12.5	19	30	16	6	M6×1.0	M5×0.8 (depth) 8	5.5
25	15.5	18	32	50	10	10	21.5	13	23	38	20	8	M8×1.25	M5×0.8 (depth) 8	5.5
32	19.5	22	40	62	12	11	23	12.5	27	48	24	10	M10×1.25	M6×1.0 (depth) 9	6.6

Bore size (mm)	Q	QA	R	T	V (Note)	Without Auto Switch						With Auto Switch					
						S			Z			S			Z		
						5st	10st	15st	5st	10st	15st	5st	10st	15st	5st	10st	15st
6	-	-	7	6 (depth) 4.8	-	38	43	48	56	66	76	38	43	48	56	66	76
10	-	-	9	6 (depth) 5	-	41	46	56	62	72	87	41	46	56	62	72	87
16	4	2	12	7.6 (depth) 6.5	3.5	45	50	60	66	76	91	45	50	60	66	76	91
20	9	4.5	16	9.3 (depth) 8	5	41	46	56	65	75	90	51	56	66	75	85	100
25	9	4.5	20	9.3 (depth) 9	5	45	50	60	73	83	98	55	60	70	83	93	108
32	13.5	4.5	24	11 (depth) 11.5	5	47	52	62	79	89	104	57	62	72	89	99	114

Note) "V" Only for Single Acting, Spring Extend

### STM Series Slide Bearing Cylinder



Ordering Code

STM

B

16

X

50

Series Code  
Sliding Type

Mounting type  
B: Body fixed Type  
S: Sliding Block Fixed Type

Cylinder Bore  
10mm  
16mm  
20mm  
25mm

Stroke  
0~250mm

Specification

Bore(mm)	10	16	20	25
Motion Pattern	Double action			
Working Medium	Air			
Operating Temperature Range	-5~+70°C			
Operating Pressure Range	1.0~9.0kgf/cm <sup>2</sup>			
Ensured Pressure Resistance	13.5kgf/cm <sup>2</sup>			
Operating Speed Range	50~200mm/s			
Buffer Type	Shock Absorber			
Lubrication	NO			
Non-rotating Precision	±0.1°		±0.05°	
Port size	M5×0.8			G1/8"

Standard Stroke

Bore size (mm)	Standard stroke (mm)									
10	25	50	75	100						
16	25	50	75	100	125	150	175	200		
20	25	50	75	100	125	150	175	200	250	
25	25	50	75	100	125	150	175	200	250	

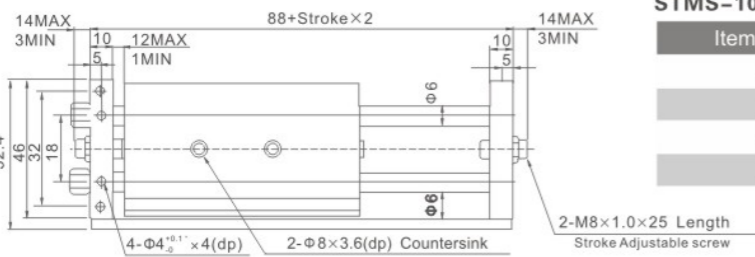
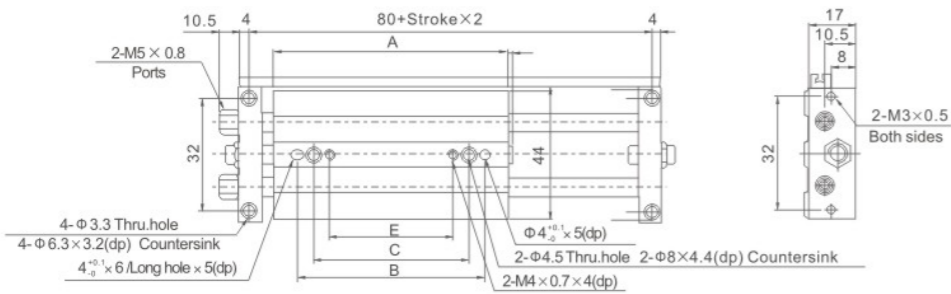
Thoretical thrust

Bore size	Rod size (mm)	Pressure area (cm <sup>2</sup> )	Operating pressure(Kgf/cm <sup>2</sup> )								
			1	2	3	4	5	6	7	8	9
10mm	6	0.50	0.48	0.95	1.43	1.9	2.38	2.85	3.43	3.8	4.28
16mm	8	1.51	1.43	2.87	4.30	5.74	7.17	8.61	10.04	11.48	12.91
20mm	10	2.36	2.24	4.48	6.73	8.97	11.21	13.45	15.69	17.94	20.18
25mm	12	3.78	3.51	7.18	10.77	14.36	17.96	21.55	25.14	28.73	32.32



### STM Series Slide Bearing Cylinder

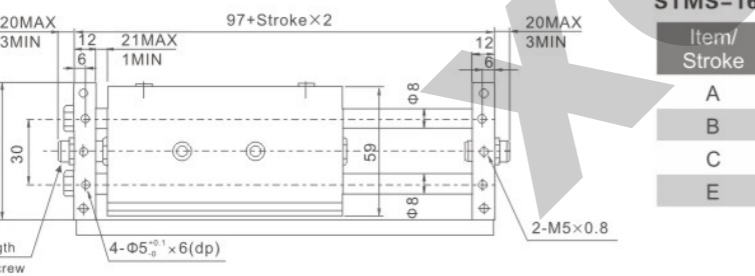
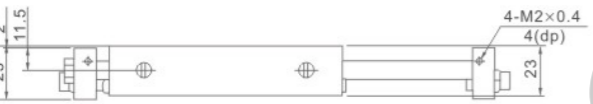
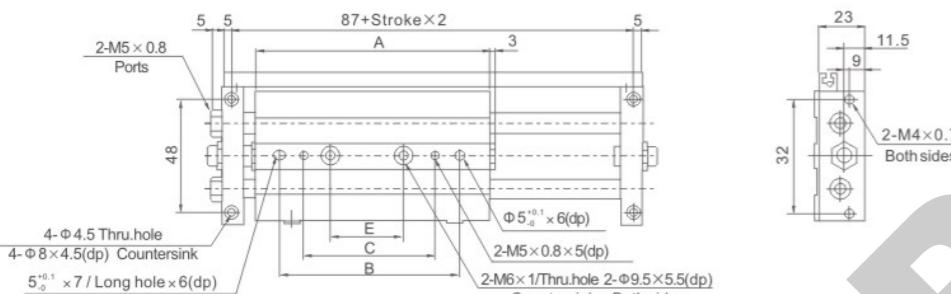
Overall Dimensions



**STMS-10**

Item/Stroke	25	50	75	100
A	81	106	131	156
B	65	85	85	85
C	35	60	60	121
E	15	40	40	40

Overall Dimensions

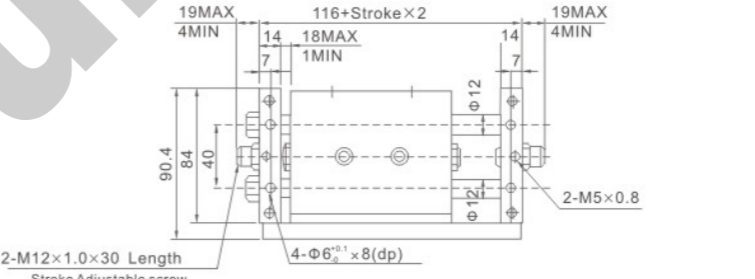
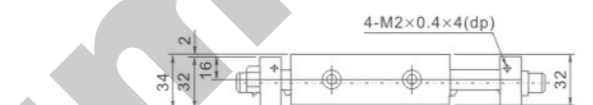
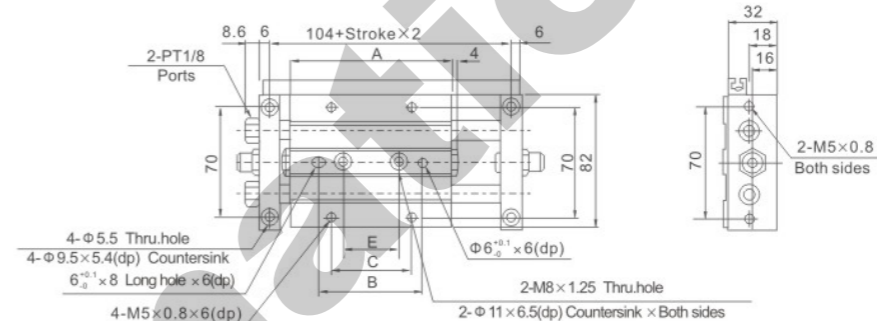


**STMS-16**

Item/Stroke	25	50	75	100	125	150	175	200
A	86	111	136	161	186	211	236	261
B	55	70	105	130	150	150	150	150
C	-	-	75	100	120	120	120	120
E	25	50	45	70	90	90	90	90

### STM Series Slide Bearing Cylinder

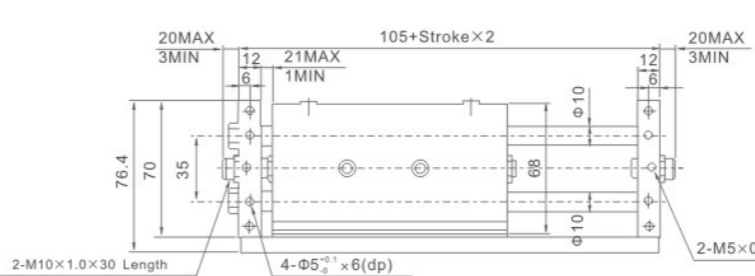
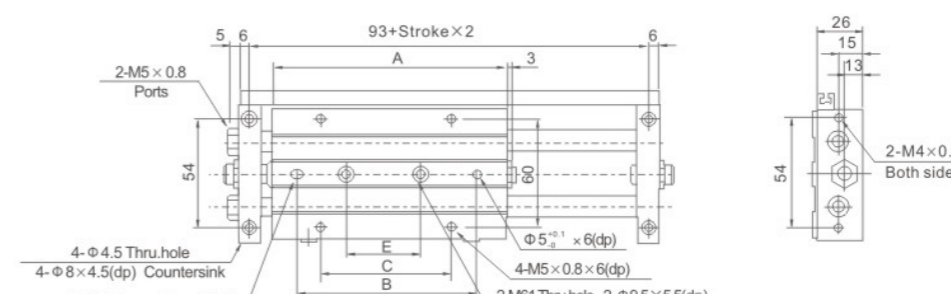
Overall Dimensions



**STMS-20**

Item/Stroke	25	50	75	100	125	150	175	200	250
A	94	119	144	169	194	219	244	269	319
B	60	85	110	135	150	150	150	150	150
C	50	50	75	100	120	120	120	120	120
E	35	45	45	70	90	90	90	90	90

Overall Dimensions



**STMS-25**

Item/Stroke	25	50	75	100	125	150	175	200	250
A	101	126	151	176	201	226	251	276	326
B	65	90	115	140	140	140	140	140	140
C	50	50	75	100	100	100	100	100	100
E	35	45	45	70	95	100	100	100	100