

### CJ2 Series Stainless Steel Type Cylinder

**Ordering Code**

**Series Code**  
CJ2B: Normal Type  
CDJ2B: Attach Magnet Type

**Cylinder Bore**  
6mm-16mm

**Stroke**  
0~200mm

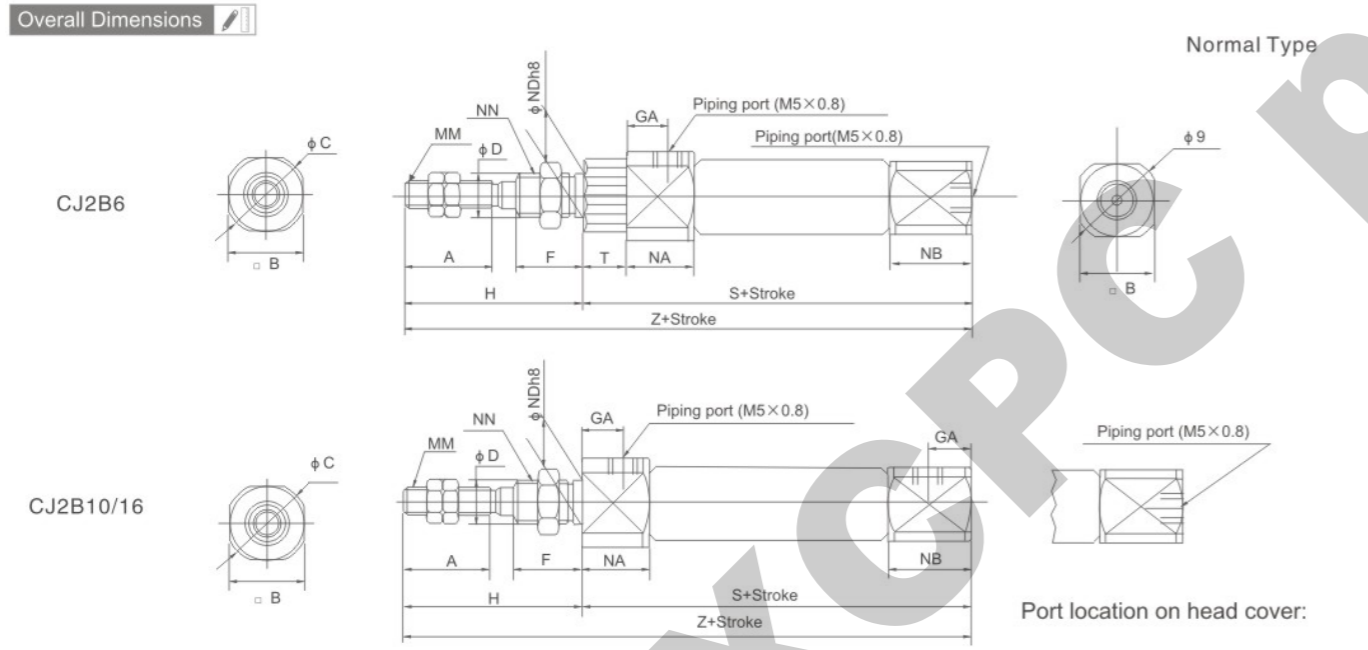
**Action**  
S: Single action (with spring return)  
T: Single action (with spring extent)

**The type of air hole on the head cover end**

Mark	Bore	φ6	φ10	φ16
Blank	-	Vertical		
R		Horizontal		

**Specification**

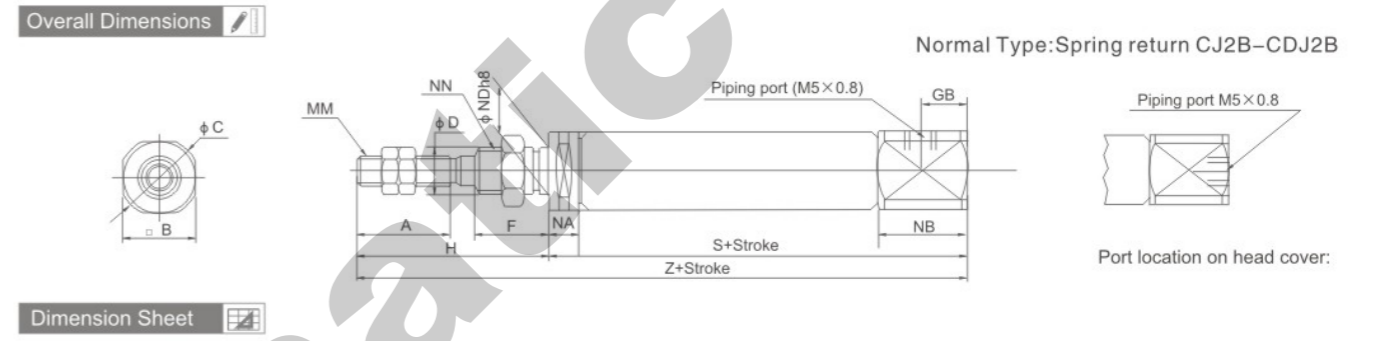
Bore(mm)	6	10	16
Working Medium	Air		
Motion Pattern	Double action/Single Action Extrusion type/Single Action Drawing-in Type		
Ensured Pressure Resistance	1.05Mpa(10.5kgf/cm <sup>2</sup> )		
Max.pressure	0.7Mpa(7.1kgf/cm <sup>2</sup> )		
Min.pressure	0.25Mpa(2.5kgf/cm <sup>2</sup> )	0.15Mpa(1.5kgf/cm <sup>2</sup> )	
Operating Temperature Range	-10~+70°C		
Operating Speed Range	50~750mm/s		
Buffering	Both side Rubber buffer(Standard)		
Margin of Stroke Error(mm)	+1.0 0 mm		
Port size	M5×0.8		



**Dimension Sheet**

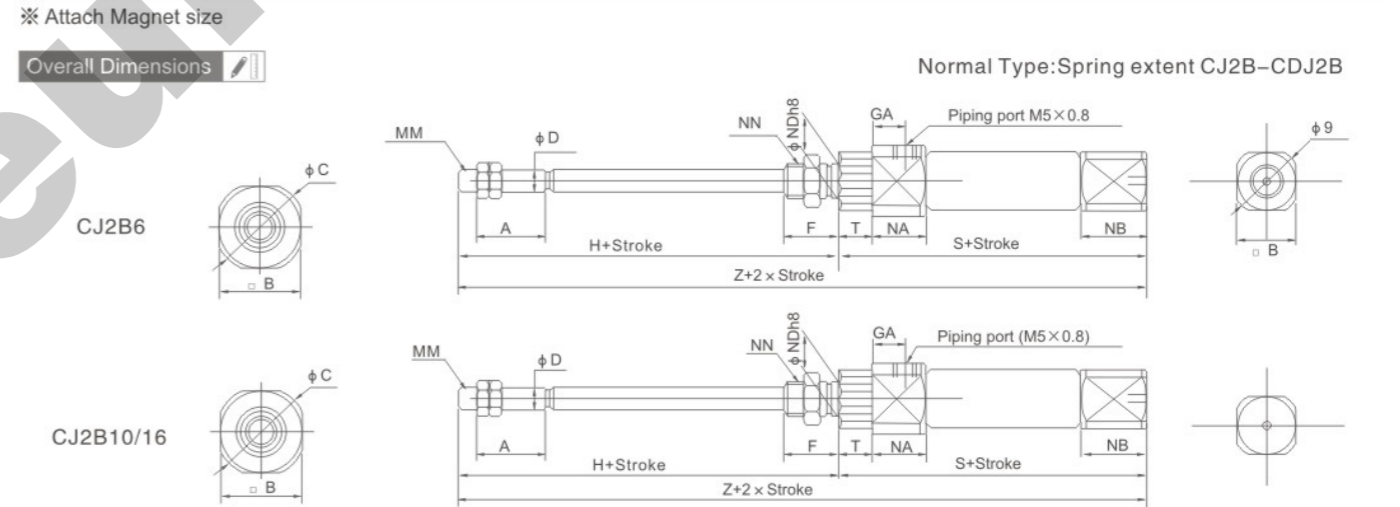
Bore(mm)	A	B	C	D	F	GA	GB	H	MM	NA	NB	NDh8	NN	S	T	Z
6	15	12	14	3	8	14.5	-	28	M3×0.5	16	7	6	M6×1.0	49	3	77
10	15	12	14	4	8	8	5	28	M4×0.7	12.5	9.5	8	M8×1.0	46	-	74
16	15	18	20	5	8	8	5	28	M5×0.8	12.5	9.5	10	M10×1.0	47	-	75

### CJ2 Series Stainless Steel Type Cylinder



**Dimension Sheet**

Bore (mm)	*S																*Z										
	A	B	C	D	F	GB	H	MM	NA	NB	NB b8	5~15	16~30	31~45	46~60	61~75	76~100	101~125	126~150	5~15	16~30	31~45	46~60	61~75	76~100	101~125	126~150
6	15	8	19	3	8	-	28	M3×0.5	3	7	6 <sup>0</sup> <sub>-0.018</sub>	34.5 (39.5)	43.5 (48.5)	47.5 (52.5)	61.5 (66.5)	-	-	-	-	62.5 (67.5)	71.5 (76.5)	75.5 (80.5)	89.5 (94.5)	-	-	-	-
10	15	12	14	4	8	5	28	M4×0.7	5.5	9.5	8 <sup>0</sup> <sub>-0.022</sub>	45.5	53	65	77	-	-	-	-	73.5	81	93	105	-	-	-	-
16	15	18	20	5	8	5	28	M5×0.8	5.5	9.5	10 <sup>0</sup> <sub>-0.022</sub>	45.5	54	66	78	84	108	126	138	73.5	82	94	106	112	136	154	166



**Dimension Sheet**

Bore (mm)	*S																*Z												
	A	B	C	D	F	GA	H	MM	NN	NA	NB	NB b8	T	5~15	16~30	31~45	46~60	61~75	76~100	101~125	126~150	5~15	16~30	31~45	46~60	61~75	76~100	101~125	126~150
6	15	8	14	3	8	14.5	28	M3×0.5	M6×1	16	3	6 <sup>0</sup> <sub>-0.018</sub>	3	46.5 (51.5)	55.5 (60.5)	59.5 (64.5)	73.5 (78.5)	-	-	-	-	74.5 (79.5)	83.5 (88.5)	87.5 (92.5)	101.5 (106.5)	-	-	-	-
10	15	12	14	4	8	8	28	M4×0.7	M8×1	12.5	5.5	8 <sup>0</sup> <sub>-0.022</sub>	-	48.5	56	68	80	-	-	-	-	76.5	84	96	108	-	-	-	-
16	15	18	20	5	8	8	28	M5×0.8	M10×1	12.5	5.5	10 <sup>0</sup> <sub>-0.022</sub>	-	48.5	57	69	81	87	111	129	141	76.5	85	97	109	115	139	157	169

### Special Cylinder



**Product instruction**

■ Our company has R&D department, can research, develop and produce all kinds of cylinders with advanced technology and sufficient professional experience. We can research and develop new products according to customer's drawing, and strive all products for excellence. If you have new product to develop, pls don't hesitate to contact us, we will try our best to help you.